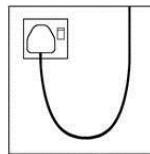




LED lighting system

How to install your multi-colour LED lighting system

1. The power supply transformer is not waterproof – this must be mounted such that it cannot fall into the aquarium or be splashed by water. The cable must be installed with a drip loop to prevent any water running down the cable into the plug socket.



2. Four options for fitting the lighting system

a. **Hood location with adhesive pads** – Push fit the brackets onto the lighting tube – see illustration on pack, attach the double sided adhesive pads to the flat surface of the brackets. Fix the lighting system to the underside of the hood in the desired location – ensure the hood surface is flat, clean and dry. **DO NOT** attach directly to fluorescent lamps or lamp reflectors.

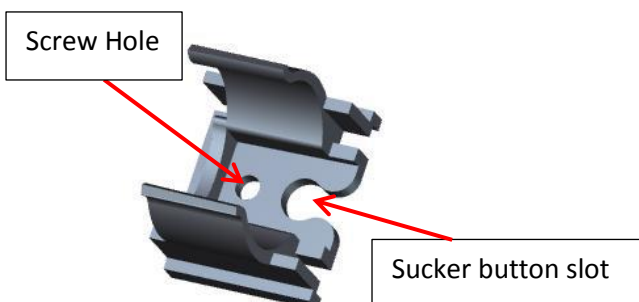
b. **Hood location with screws** - Ensure the hood material is thicker than the length of the screws to prevent them protruding through the outer surface. Fit the brackets onto the lighting system – see illustration on pack. Place the lighting system in the desired location under the hood and draw around the brackets with a pencil to indicate their position. Remove the brackets from the lighting system and place them in the pencil marked position in the hood. Using the self-tapping screws provided fix the bracket in position using the fixing holes in the bracket. When both brackets are fixed in position push fit the lighting system into the bracket.

c. **Hood location with glue** – (glue sold separately) push fit the brackets onto the lighting system – see illustration on pack. Select desired location on the underside of the aquarium hood and mark the position of the brackets. Keep the hood away from the aquarium while gluing the brackets as the glue can be dangerous to the fish. Clean the marked area with a damp cloth then allow to dry, remove brackets from the light tubes and glue into the marked position on the aquarium hood.

An all-round plastic / wood glue is recommended for application, for example: 502 super adhesive glue. Always follow the glue manufacturer's instructions fully.

d. **Submersed in Aquarium with suckers** – Attach suckers provided to the brackets by sliding the button on the sucker into the slot in the bracket. Push fit the bracket onto the lighting system and place into desired location in the aquarium (ensure that the LED push fit socket is not submersed) press suckers onto glass (to optimise adhesion clean the glass before applying the sucker).

LED system bracket



LED system inline control button



Recommended use

- 1) Using the in-line switch turn on the multi-colour led system; it will automatically start to cycle through the different shades of colour, over a 30 second loop.
- 2) If you want to fix the light at a particular colour, wait until the cycle passes over this colour and press the inline control button.
- 3) If you then press the inline control button for a second time the led system will switch to bright white.
- 4) To restart the automatic colour change cycle, press the inline control button for a third time.

Maintenance

Switch the LED system off and remove from the brackets – wipe off any dirt, salt mineral deposits with a damp cloth. Do not use cleaning agents that could enter the aquarium and harm your livestock.

Important information

- This unit is for indoor use only – do not use outside.
- Do not use this unit if the cable or transformer plug are damaged or appear to be malfunctioning.
- Do not use this unit if the transformer plug gets wet.
- Dispose of responsibly following instructions from your local authority.

Guarantee

This product is guaranteed against defects in Material and workmanship for 12 months from the date of purchase, under normal usage.

The GUARANTEE DOES NOT APPLY in case of improper use, negligence, lack of maintenance or accidental damage. If the LED fails due to a manufacturing fault within this period it will either be replaced free of charge or repaired. Liability is limited to replacement of the faulty product only no other costs will be reimbursed.

This guarantee is not transferable and does not affect your statutory rights. This guarantee does not confer any rights other than those expressly set out above.



You can help protect the environment. Please remember to respect the local regulations: hand in non-working electrical equipment to an appropriate waste disposal centre.

Consumer Advice contact details

Interpet Ltd.

Consumer Advice Department

Vincent Lane, Dorking, Surrey RH4 3YX

Fax: 01306 876712 E-mail: customercare@interpet.co.uk